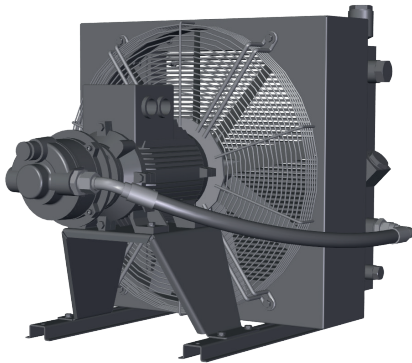


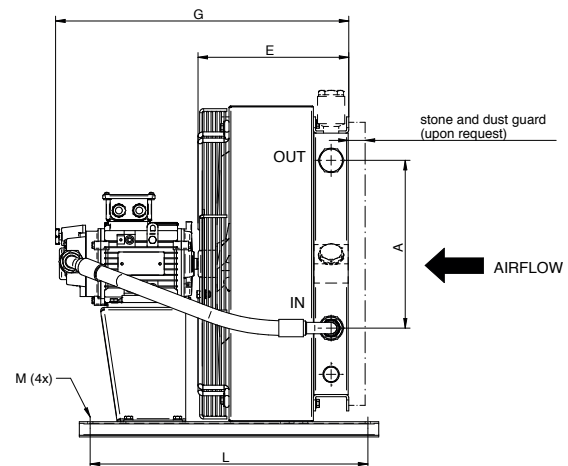
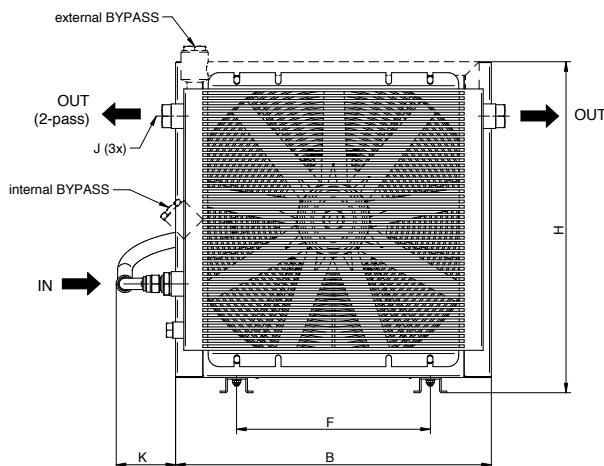


HCP-aircooler with AC-motor and pump



This cooler type with alternating current motor and pump is applicable for stationary industry and has been developed for efficient cooling of hydraulic and lubrication oil. The tightly arranged design enables cooling and pumping simultaneously. Designs are available incl. various accessories (filter, tank, flow control, pressure and temperature switch,...) and as 1-pass or 2-pass.

| Material | |
|--------------------------|---|
| Cooling element | Aluminium (copper or stainless steel upon request) |
| Air fan | Glass fibre reinforced plastic (PAG/PPG) |
| Sheet metal parts | C-steel powder coated |
| Protection grid | C-steel galvanised (Cr-VI-free) |
| Pump | Steel, casting, brass, viton,... |
| Main parts | black color RAL 9005 (excl. air fan, grid and motor) |



| HENNLICH Cooling-Technologies GmbH | | Noise level LpA dB (A) 1m* | Pole - Power [kW] | Max. flow rate [l/min] | Spec. cooling capacity [kW/°C] | Cooling capacity at dT = 40 °C [kW] | Mass [kg] |
|---------------------------------------|-----------|----------------------------------|----------------------|---------------------------|--------------------------------------|--|--------------|
| HCP standard sizes | | | | | | | |
| HCP | B21.21-9 | 61 | 4 - 0,37 | 9 | 0,04 | 1,5 | 13 |
| HCP | B21.21-18 | 64 | 2 - 0,55 | 18 | 0,06 | 2,4 | 15 |
| HCP | C27.21-9 | 62 | 4 - 0,37 | 9 | 0,05 | 2 | 15 |
| HCP | C27.21-18 | 64 | 2 - 0,55 | 18 | 0,07 | 2,9 | 17 |
| HCP | C27.21-30 | 63 | 4 - 0,75 | 30 | 0,09 | 3,6 | 20 |
| HCP | C33.26-30 | 64 | 4 - 0,75 | 30 | 0,15 | 6 | 23 |
| HCP | C33.26-60 | 66 | 4 - 2,00 | 60 | 0,20 | 8 | 26 |
| HCP | C40.33-30 | 65 | 4 - 0,75 | 30 | 0,24 | 9,6 | 26 |
| HCP | C40.33-60 | 69 | 4 - 2,00 | 60 | 0,30 | 12 | 29 |
| HCP | C47.40-30 | 66 | 4 - 0,75 | 30 | 0,33 | 13,2 | 33 |
| HCP | C47.40-60 | 71 | 4 - 2,00 | 60 | 0,45 | 18 | 36 |
| HCP | C55.48-30 | 72 | 4 - 0,75 | 30 | 0,39 | 15,6 | 43 |
| HCP | C55.48-60 | 76 | 4 - 2,00 | 60 | 0,60 | 24 | 46 |
| HCP | C64.59-30 | 72 | 4 - 0,75 | 30 | 0,45 | 18 | 56 |
| HCP | C64.59-60 | 77 | 4 - 2,00 | 60 | 0,70 | 28 | 59 |
| HCP | C64.76-30 | 72 | 4 - 0,75 | 30 | 0,54 | 21,6 | 69 |
| HCP | C64.76-60 | 77 | 4 - 2,00 | 60 | 0,86 | 34,4 | 72 |



HCP Aircooler

HENNLICH - Cooling - Technologies GmbH

| HENNLICH Cooling-Technologies GmbH | | B | F | H | J | K | L | A | E | G | Mø |
|---------------------------------------|-----------|-----|---------|-----|-------|-----|-----|-----|-----|-----|----|
| HCP standard sizes | | | | | | | | | | | |
| HCP | B21.21-9 | 265 | 203/134 | 291 | G3/4" | 125 | 510 | 90 | 180 | 520 | 10 |
| HCP | B21.21-18 | 265 | 203/134 | 291 | G3/4" | 125 | 510 | 90 | 180 | 520 | 10 |
| HCP | C27.21-9 | 270 | 203/134 | 291 | G1" | 125 | 510 | - | 200 | 540 | 10 |
| HCP | C27.21-18 | 270 | 203/134 | 291 | G1" | 125 | 510 | - | 200 | 540 | 10 |
| HCP | C27.21-30 | 270 | 203/134 | 291 | G1" | 125 | 510 | - | 200 | 490 | 10 |
| HCP | C33.26-30 | 367 | 203 | 396 | G1" | 105 | 510 | 159 | 225 | 490 | 10 |
| HCP | C33.26-60 | 367 | 203 | 396 | G1" | 105 | 510 | 159 | 225 | 490 | 10 |
| HCP | C40.33-30 | 442 | 203 | 471 | G1" | 105 | 510 | 234 | 245 | 510 | 10 |
| HCP | C40.33-60 | 442 | 203 | 471 | G1" | 105 | 510 | 234 | 245 | 510 | 10 |
| HCP | C47.40-30 | 498 | 203 | 527 | G1" | 105 | 510 | 225 | 265 | 530 | 10 |
| HCP | C47.40-60 | 498 | 203 | 527 | G1" | 105 | 510 | 225 | 265 | 530 | 10 |
| HCP | C55.48-30 | 582 | 356 | 611 | G1" | 105 | 510 | 308 | 280 | 550 | 10 |
| HCP | C55.48-60 | 582 | 356 | 611 | G1" | 105 | 510 | 308 | 280 | 550 | 10 |
| HCP | C64.59-30 | 694 | 356 | 723 | G1¼" | 110 | 510 | 415 | 315 | 620 | 10 |
| HCP | C64.59-60 | 694 | 356 | 723 | G1¼" | 110 | 510 | 415 | 315 | 620 | 10 |
| HCP | C64.76-30 | 694 | 356 | 867 | G1¼" | 110 | 510 | 593 | 340 | 645 | 10 |
| HCP | C64.76-60 | 694 | 356 | 867 | G1¼" | 110 | 510 | 593 | 340 | 645 | 10 |

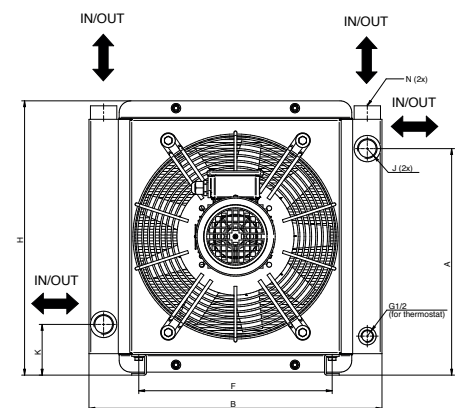
Figures are based on typical hydraulic oil data ISO VG32 at 40 °C

Other cooler types / dimensions upon request
Noise level tolerance +/- 3 dB(A)

General motor data

| |
|--|
| 3-phase motor |
| IP55, Insulation class F temperature class B |
| Ambient air temperature motor -10 to max. - 40 °C |

| |
|---|
| Max. oil temperature [Tmax] |
| 75 °C |
| Max. pump pressure |
| 6 bar |
| Max. underpressure in the suction line of the pump: 0,2 bar (depending on viscosity) |
| Max. pressure in the suction line of the pump: 0,5 bar |
| Max. viscosity: 150 cSt |



New:

The Flex-Design => with in and outlets in all directions => for flexible connection

For higher viscosity the 2 kW-motor is applicable for the 30 l-pump as well. For higher temperature up to 250 °C and/or higher pressure we provide tailor-made solutions. Higher flow rates up to 500 l/min will be designed with separate pump-units.

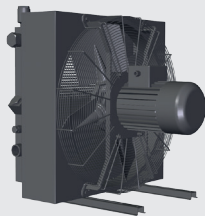
The pump includes an adjustable bypass-valve up to 6 bar. However, it is a displacement pump and allows bypass-operating only a short periode of time (max. 2 minutes).

It is absolute recommendable to prefill the suction line and the pump before starting the system. Basically the pump design allows underpressure, but its nessecary to prevent cavitation or any other damage at the pump and the HCT system.

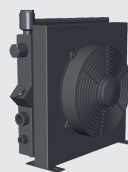
Other types:



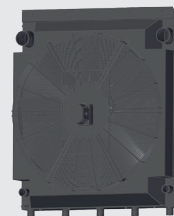
HCH with hydraulic motor



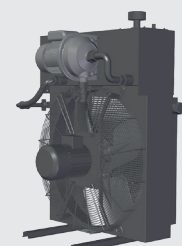
HCA with AC-Motor + pump



HCD with 12/24VDC



HCC for diesel engines



HCS cooling systems



Key code

HCP - C33.26 – 4D - 100 - XXFZ - Z

| Cooler type | |
|---------------------|--|
| HCP | air cooler with AC-motor and pump |
| HCPF | flex-design with AC-motor and pump |
| HCPX | aircooler with ATEX-design |
| HCPM | aircooler with marine-design |
| Cooler size | |
| B21.21 to XXXX | acc. table |
| Pole quantity | |
| 2 | 2-pole (3000 1/min) |
| 4 | 4-pole (1500 1/min) |
| 6 | 6-pole (1000 1/min) |
| 8 | 8-pole (750 1/min) |
| Z | special |
| Motor voltage | |
| A | 230/400V, 50 Hz / 3-phase |
| B | 275/480V, 60 Hz / 3-phase |
| C | 230V, 50/60 Hz / 1-phase |
| D | 230/400V, 50 Hz; 275/480V, 60 Hz |
| E | 500V, 50 Hz / 3-phase |
| F | 400/690 V, 50 Hz / 3-phase |
| G | special voltage |
| Z | special motor |
| X | without motor |
| Bypass-accessories | |
| 1XX | 1-pass excl. bypass valve) |
| 2XX | standard 2-pass |
| 3XX | standard 3-pass |
| 5XX | 2-pass with accessoires |
| X2X | bypass valve (2 bar) |
| X5X | bypass valve (5 bar) |
| XX4 | thermostat 40 °C |
| XX5 | thermostat 50 °C |
| XX6 | thermostat 60 °C |
| XX7 | thermostat 70 °C |
| XX8 | thermostat 80 °C |
| XX9 | thermostat 90 °C |
| X25 | with internal thermal-bypass (2 bar, 50 °C) |
| X26 | with internal thermal-bypass (2 bar, 60 °C) |
| Flow rate (maximum) | |
| 9 | 9 l/min |
| 18 | 18 l/min |
| 30 | 30 l/min |
| 60 | 60 l/min |
| XX | other flow rates |
| Internal codes | |
| FZ, ... | |
| Internal codes | |
| Z | Options for stone and dust guard, painting, filter, switches, accessories, ... |

