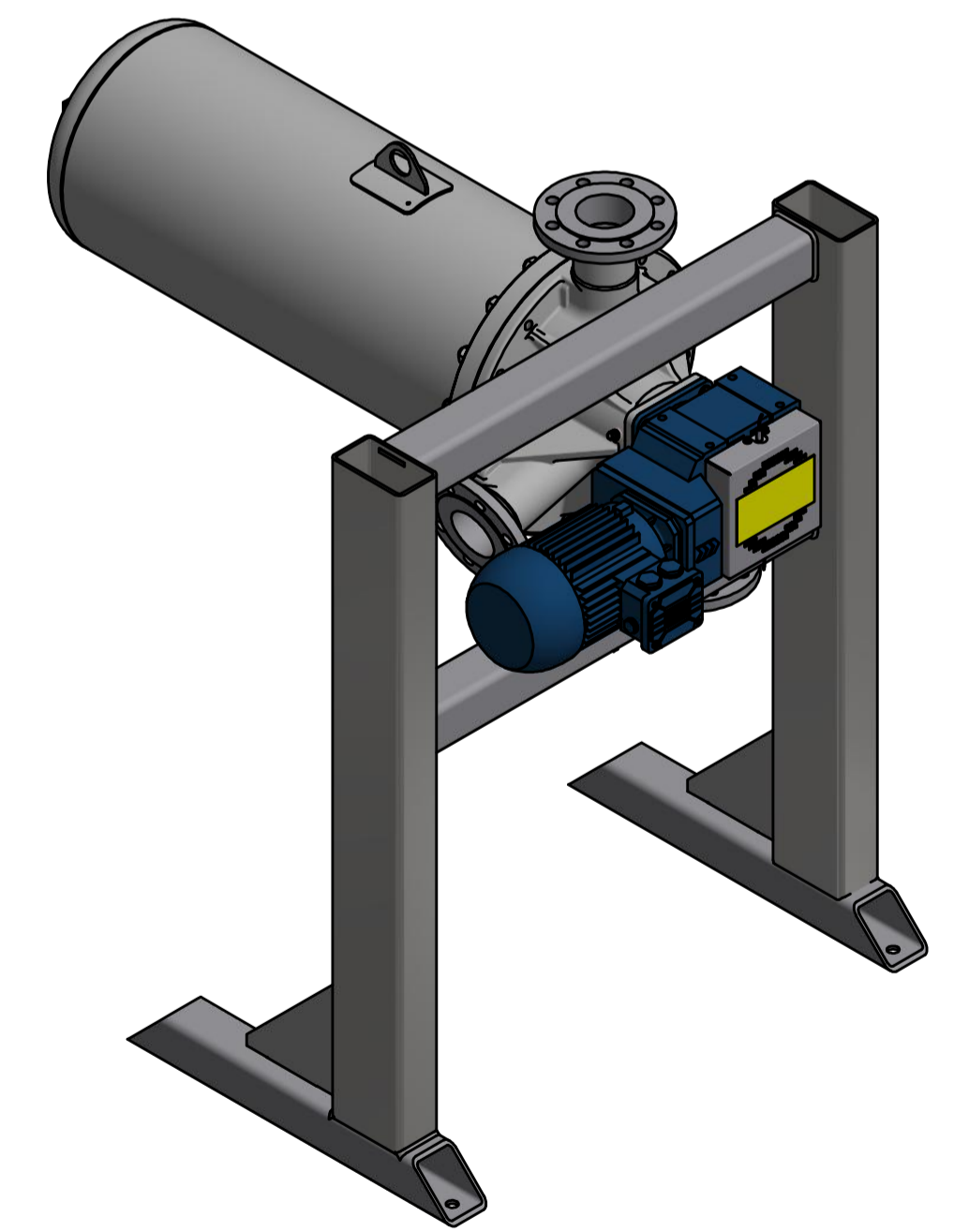
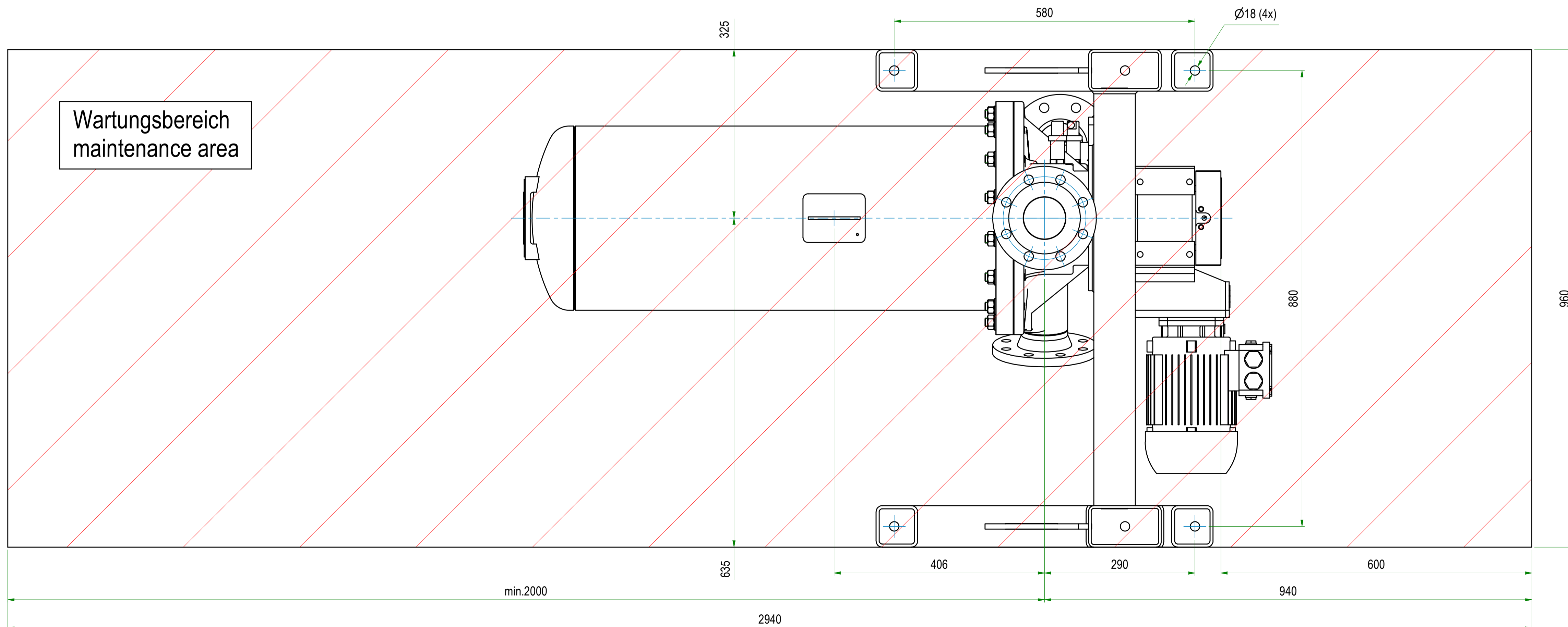
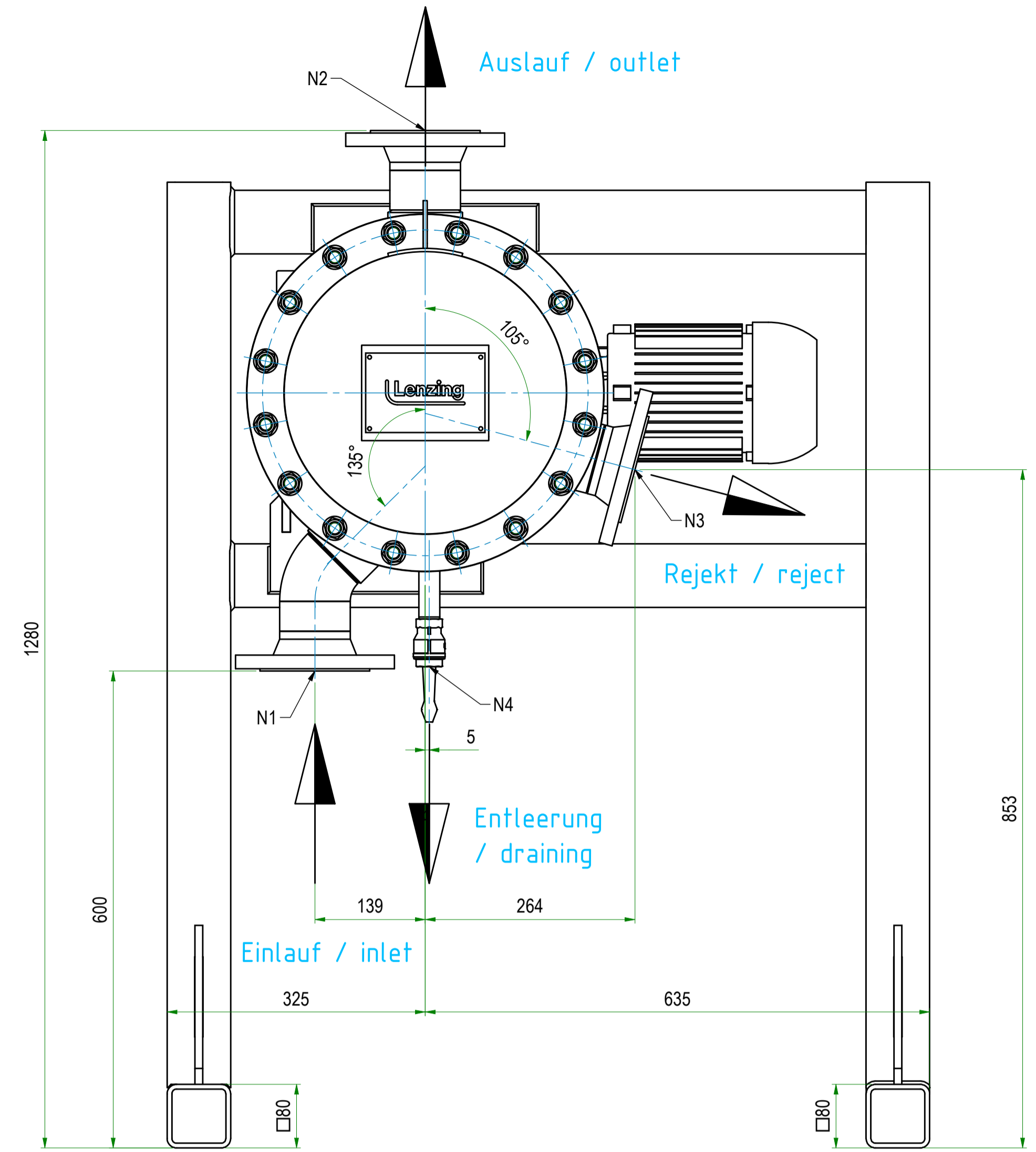
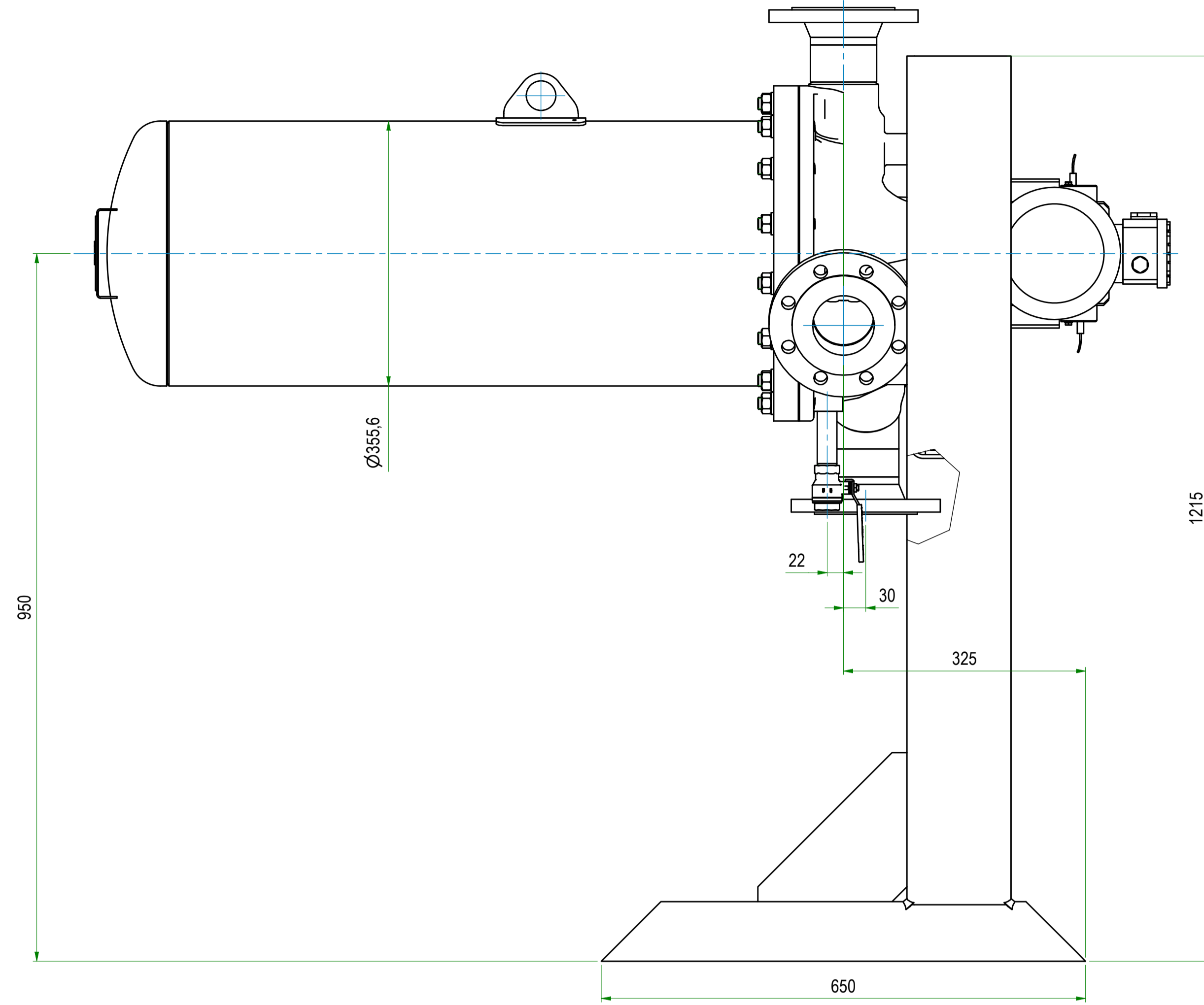
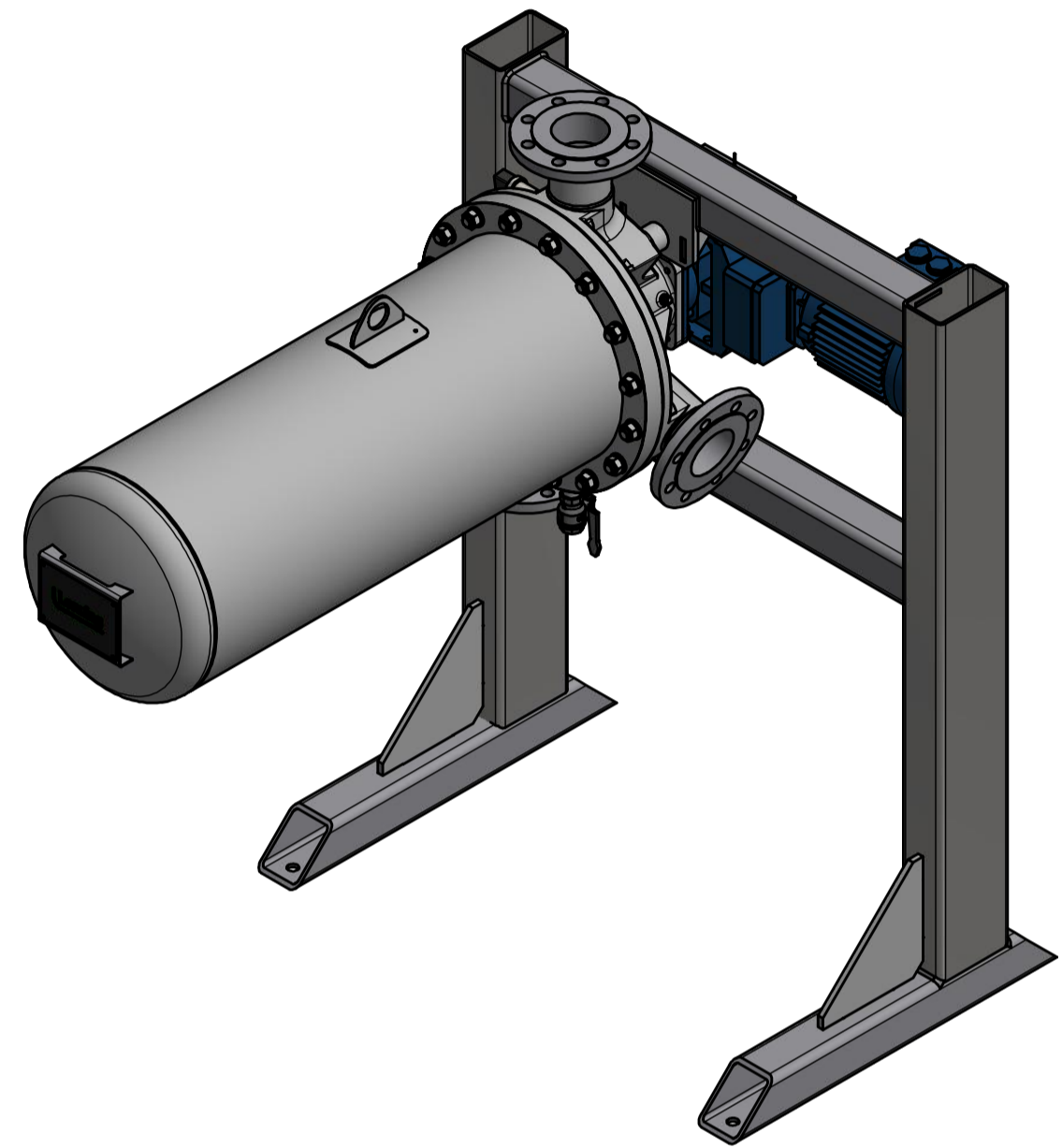


Stütztabelle/nozzle table					
No	Dim	PN	Pcs	Norm/specification	Benennung/description
N1	DN80	PN16	1	DIN EN 1092-1	Einlauf / inlet
N2	DN80	PN16	1	DIN EN 1092-1	Auslauf / outlet
N3	DN80	PN16	1	DIN EN 1092-1	Rejekt / reject
N4	R3/4"	PN16	1	DIN EN10241	Entleerung p1 / draining p1

Nozzle	Size	Maximum rated load		
		Fx [N]	Fy [N]	Fz [N]
N1	DN80	3000	3000	3000
N2	DN80	3000	3000	3000
N3	DN80	2500	2500	2500
N4	3/4"	500	500	500



Gesamtgewicht leer ca. 350kg
total weight approx. 350kg

rev.	date	approved	designer	modification text
1	30.06.2020	LAGGRPILGWMA	LAGGRPILGWMA	Stützenbezeichnung berichtigt
-	04.12.2019	LAGGRPILGWMA	LAGGRPILGWMA	

Created by Wiesinger Martin		Document type	Confidentiality
Checked by		Material number	DCC
Approved by LAGGRPILGWMA		Description installation drawing Aufstellungszeichnung OptiFi-M-0720	Weight 314 kg
Released	Date of first issue 29.11.2019	Date of latest issue	Scale 1:5
Lenzing Aktiengesellschaft	Plant classification 5358	Format A1	Sheet 1/1
	Drawing Number 10395946	Rev 1	